

## Use this troubleshooting supplement to help:

- Measure DC voltage test points to identify major discrepancies and locate problem areas.

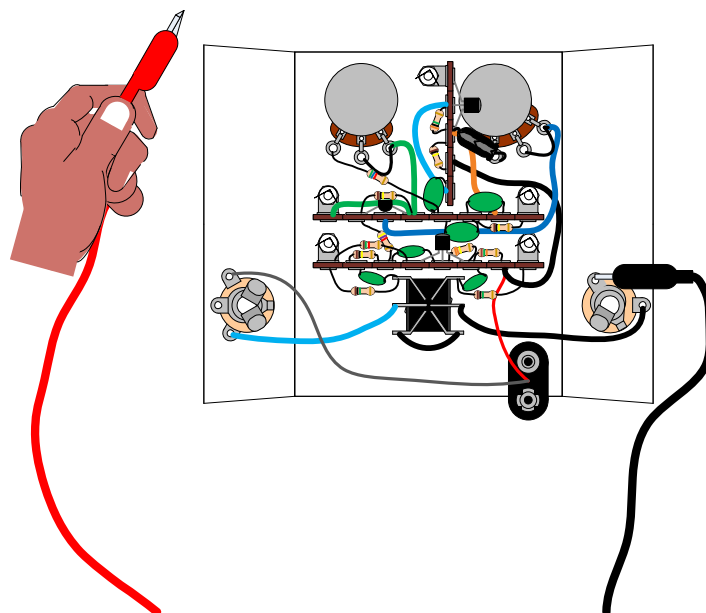
Using a volt meter, connect the ground side lead of the meter to any ground point on the pedal. One ground point would be the output jack's ground lug. The other volt meter lead will be used to measure DC voltage at the test points listed above and shown in the drawing on the next page.

(Keep in mind that the voltage measurements will vary slightly from kit to kit. The voltages you measure should be in the same ballpark, but do not expect to get the exact same value.)

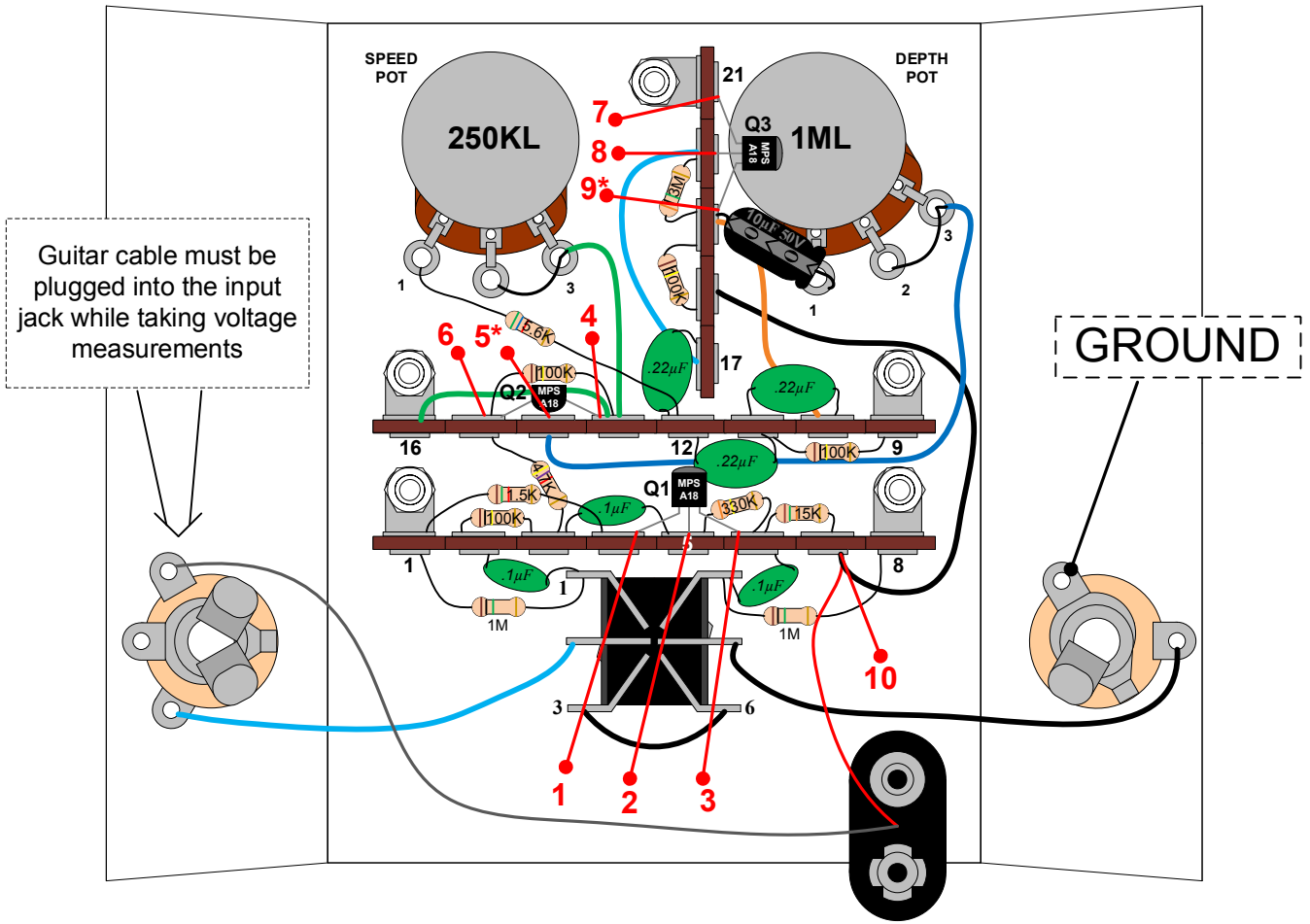
***You must plug a guitar cable into the input jack when taking the voltage measurements because the input jack is set up to disconnect power from the circuit when unplugged.***

**\*Oscillation causes the voltage measurement at test points 5 and 9 to be unstable, but they average the listed voltage with "speed" and "intensity" controls at their max (full clock-wise) settings.**

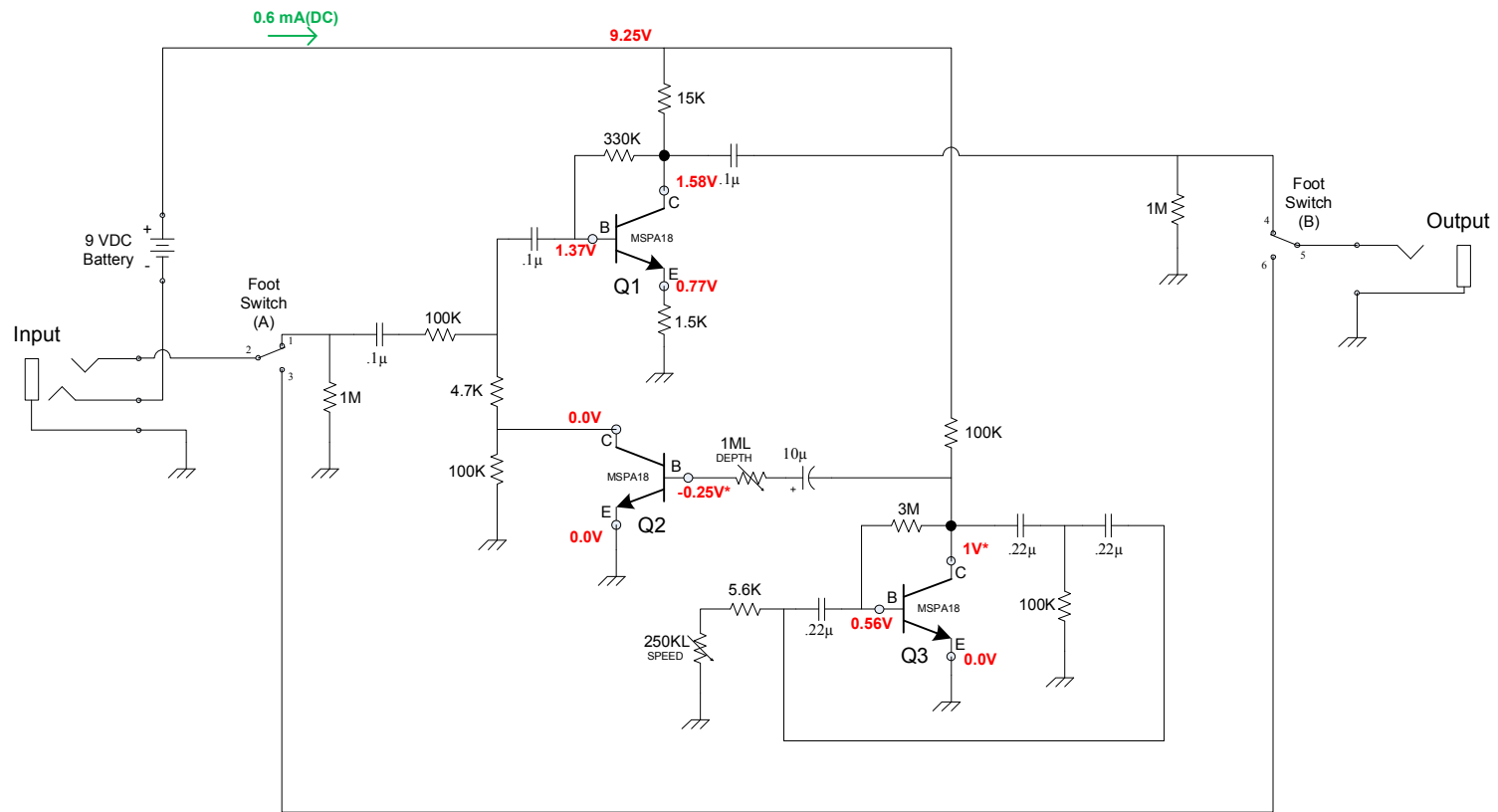
Test Point	Location Description	DC Voltage Measurement
1	Q1 Emitter	0.77 VDC
2	Q1 Base	1.37 VDC
3	Q1 Collector	1.58 VDC
4	Q2 Emitter	0.0 VDC
5*	Q2 Base	-0.25 VDC*
6	Q2 Collector	0.0 VDC
7	Q3 Emitter	0.0 VDC
8	Q3 Base	0.56 VDC
9*	Q3 Collector	1 VDC*
10	9 Volt Power Supply	9.25 VDC



**\*Oscillation causes the voltage measurement to be unstable, but average the listed voltage with "speed" and "depth" controls at their max (full clock-wise) settings.**

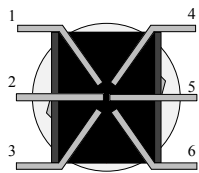


**DC Voltage Test Points**

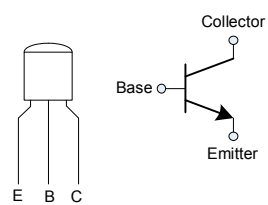


\*Oscillation causes the voltage measurement to be unstable, but average the listed voltage with "speed" and "depth" controls at their max (full clock-wise) settings.

DPDT Foot Switch



MPSA18  
NPN BJT



**MOD**<sup>TM</sup>

www.modkitsdiy.com  
Copyright © 2012 by modkitsdiy.com

"The Trill" (K-960) Schematic